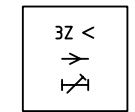
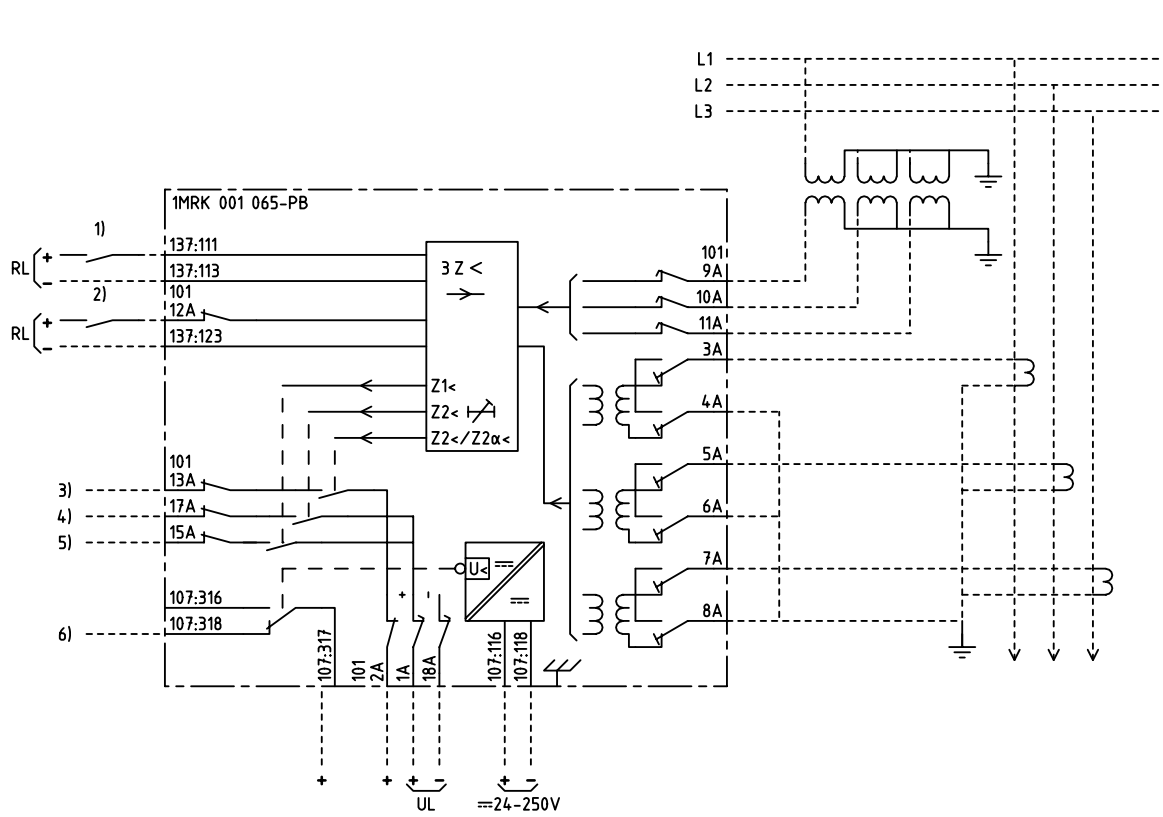


We reserve all rights in this document and in the information contained therein. Reproduction, use for other than intended purposes, or distribution without the written permission of ABB Network Partner AB is strictly forbidden.



3-PH UNDERIMPEDANCE PROTECTION  
 DELAYED  
 3-FAS UNDERIMPEDANSSKYDD  
 FÖRDRÖJT

54C					
101	107	113	125	137	143
		313			
					4U

101 RTXP 18  
 107 RXTUG 22H  
 113,125,313 TRANSFORMER UNIT  
 137,143,149 RXZK 22H

- 1) BLOCKING OF ALL THE FUNCTIONS EXCEPT Z2α<, FUNCTION Z2< CHANGES TO AN INSTANTANEOUS FUNCTION.  
 BLOCKERING AV ALLA FUNKTIONER UTOM Z2α<, FUNKTION Z2< ÄNDRAS TILL MOMENTAN FUNKTION.
- 2) RESETTING OF INDICATION  
 ÅTERSTÄLLNING AV INDIKERING
- 3) UNDERIMPEDANCE Z2</Z2α<, START  
 UNDERIMPEDANS Z2</Z2α<, START
- 4) UNDERIMPEDANCE Z2<, TRIPPING  
 UNDERIMPEDANS Z2<, UTLÖSNING
- 5) UNDERIMPEDANCE Z1<, TRIPPING  
 UNDERIMPEDANS Z1<, UTLÖSNING
- 6) LOSS OF AUXILIARY VOLTAGE  
 BORTFALL AV HJÄLPSPÄNNING

ELCAD ID PS/render      DATE 2004-06-223:59

Issued in ARCADE

Prepared 98-03-26 H RAZA/JE		CIRCUIT DIAGRAM/KRETSSHEMA		Resp dep PS		Rev ind 1 98-05-27		Lang 82	
Approved 98-04-23 P JENÄKER		RAZK 223 3-PHASE UNDERIMPEDANCE PROT.		Sheet 1		Lang 82		Lang 82	
		RAZK 223 3-FAS UNDERIMPEDANSSKYDD		Sheet 1		Lang 82		Lang 82	
Rev Ind Revision		Reg No 7411		Sheet 1		Lang 82		Lang 82	
Based on		Pcl 890.557		Sheet 1		Lang 82		Lang 82	

**ABB** ABB Network Partner AB

**1MRK 001 065-PBA**