

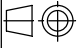

Table of contents

Part of product	Sheets
Designations for 1/2x19" casing with 1 TRM slot	2
Designations for 3/4x19" casing with 1 TRM slot	3
Designations for 3/4x19" casing with 2 TRM slots	4
Designations for 1/1x19" casing with 1 TRM slot	5
Designations for 1/1x19" casing with 2 TRM slots	6
Power supply module	7
IED with basic functionality and communication interfaces	8
GPS time synchronization module	9
Transformer input module	10
Binary input module	11
Binary output module	12
Static output module	13
Binary in/out module	14
mA input module	15

Used abbreviations

Abbreviation	Description
NUM	Numeric processing module
PSM	Power supply module
ADM	Analog digital conversion module
TRM	Transformer input module
OEM	Optical ethernet module
SLM	Serial communication module
RS485	Galvanic RS485 communication module
LDCM	Line data communication module
IRIG-B	IRIG-B time synchronization module
GTM	GPS time module
GSM	GPS time synchronization module
BIM	Binary input module
BOM	Binary output module
SOM	Static binary output module
IOM	Binary in/out module
MIM	mA input module
CBM	Combined backplane module
HMI	Human machine interface

We reserve all rights in this document and in the information contained therein. Reproduction, use or disclosure of this document without express authority is strictly prohibited. © ABB AB

Customer drw no	Prep. PSTP/ TPLA Agneta Rydh 2009-06-03	Connection Diagram 670 series Ver.1.2, ANSI symbols		Cont. sh/ No of sh	
	Appr. PSTP/ TPLA Patrik Nyback 2010-02-18			2	
Based on	 ABB AB	Document number	Lang.	Rev.	Sheet
		1MRK002802-AB	en	A	1

Document status: Approved

1

2

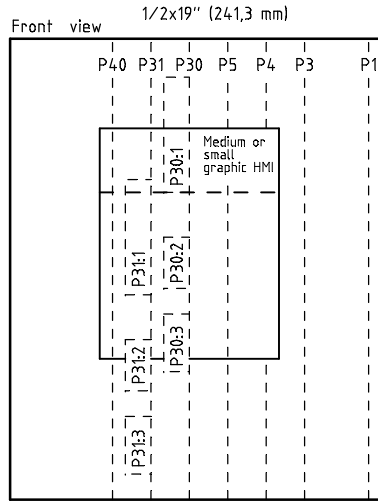
3

4

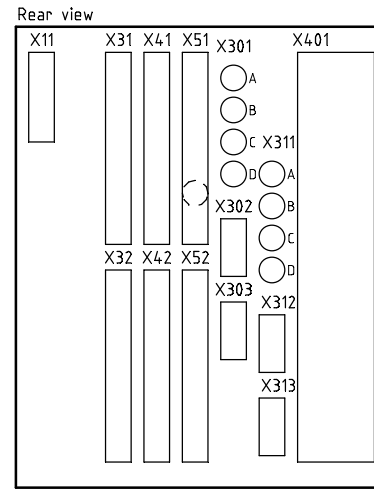
5

6

Designations for 1/2x19" casing with 1 TRM slot



6U (266,7 mm)



We reserve all rights in this document and in the information contained therein. Reproduction, use or disclosure in any form without express authority is strictly prohibited. © ABB AB

Customer drawing no	Prep.	PSTP/ TPLA	Agneta Rydh	2009-06-03	Connection Diagram 670 series Ver.1.2, ANSI symbols		Cont. sh/ No of sh	
	Appr.	PSTP/ TPLA	Patrik Nyback	2010-02-18			3	
	Resp. dept	PSTP/ TPLA			Document number	Lang.	Rev.	Sheet
Based on			ABB AB		1MRK002802-AB	en	A	2

1

2

3

4

5

6

Document status: Approved

1

2

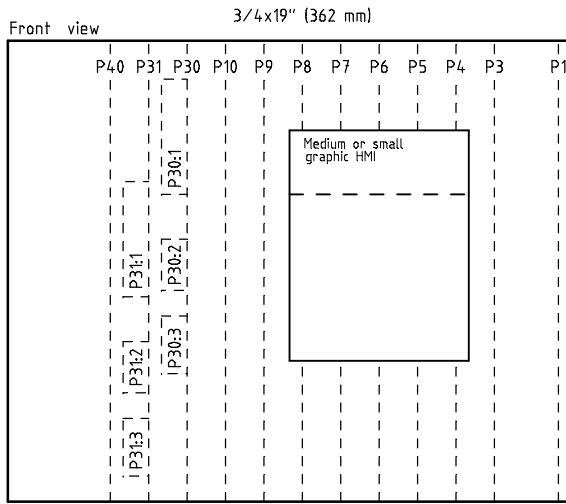
3

4

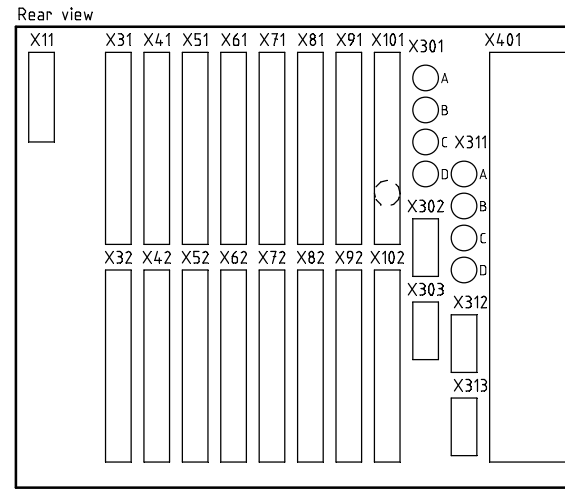
5

6

Designations for 3/4x19" casing with 1 TRM slot



6U (266,7 mm)



We reserve all rights in this document and in the information contained therein. Reproduction, use or disclosure of this product without express authority is strictly prohibited. © ABB AB

Customer drawing no	Prep.	PSTP/ TPLA	Agneta Rydh	2009-06-03	Connection Diagram 670 series Ver.1.2, ANSI symbols		Cont. sh/ No of sh	
	Appr.	PSTP/ TPLA	Patrik Nyback	2010-02-18			4	
	Resp. dept	PSTP/ TPLA			Document number	Lang.	Rev.	Sheet
Based on	ABB AB			1MRK002802-AB	en	A	3	

1

2

3

4

5

6

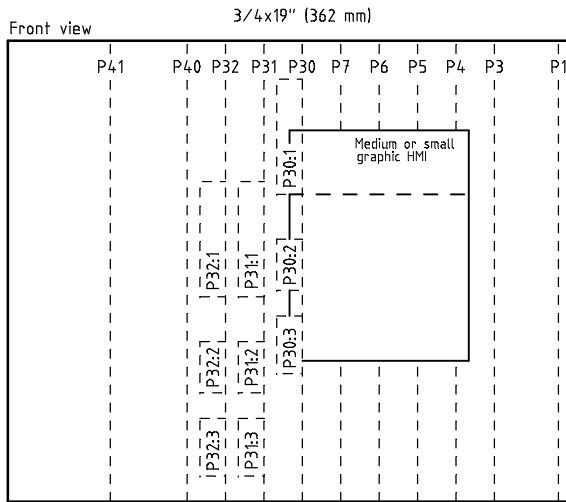
Document status: Approved

1 2 3 4 5 6

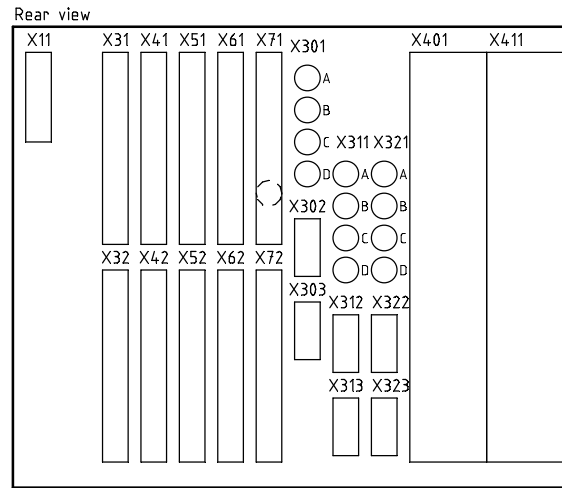
Designations for 3/4x19" casing with 2 TRM slots

A

A



6U (266,7 mm)



B

B

We reserve all rights in this document and in the information contained therein. Reproduction, use or disclosure in any form without express authority is strictly forbidden. © ABB AB

C

C

D

D

Customer draw no	Prep.	PSTP/ TPLA	Agneta Rydh	2009-06-03	Connection Diagram 670 series Ver.1.2, ANSI symbols		Cont. sh/ No of sh	
	Appr.	PSTP/ TPLA	Patrik Nyback	2010-02-18			5	
Based on	Resp. dept	PSTP/ TPLA	ABB AB		Document number	Lang.	Rev.	Sheet
					1MRK002802-AB	en	A	4

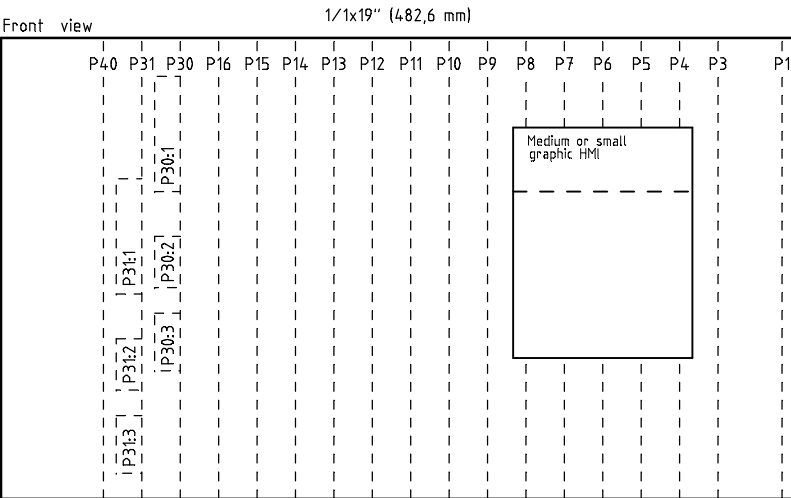
1 2 3 4 5 6

Document status: Approved

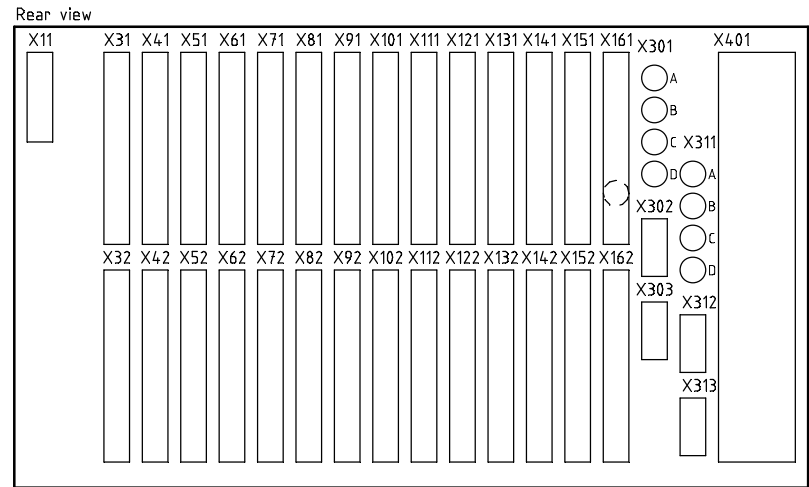
1 2 3 4 5 6

Designations for 1/1x19" casing with 1 TRM slot

A



6U (266,7 mm)



A

B

B

C

C

D

D

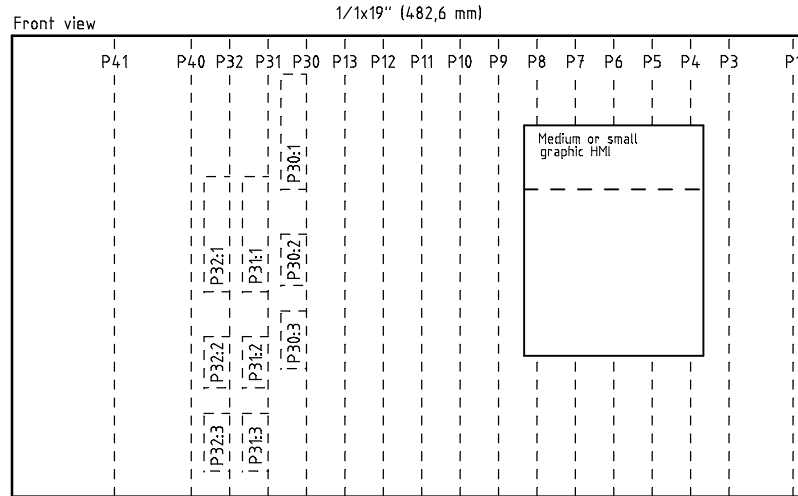
We reserve all rights in this document and in the information contained therein. Reproduction, use or disclosure in any form without express authority is strictly prohibited. © ABB AB

Document status: Approved

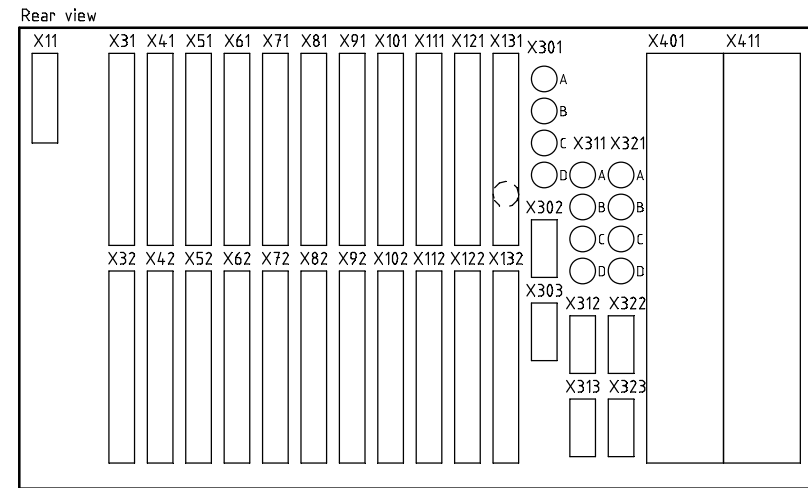
Customer drawing no	Prep.	PSTP/ TPLA	Agneta Rydh	2009-06-03	Connection Diagram		Cont. sh/ No of sh	
	Appr.	PSTP/ TPLA	Patrik Nyback	2010-02-18	670 series Ver.1.2, ANSI symbols			6
Based on	Resp. dept	PSTP/ TPLA	ABB		Document number	Lang.	Rev.	Sheet
			ABB AB		1MRK002802-AB	en	A	5

1 2 3 4 5 6

Designations for 1/1x19" casing with 2 TRM slots



6U (266,7 mm)



We reserve all rights in this document and in the information contained therein. Reproduction, use or disclosure of this document without express authority is strictly prohibited. © ABB AB

Customer drawing no	Prep.	PSTP/ TPLA	Agneta Rydh	2009-06-03	Connection Diagram			Cont. sh/ No of sh
	Appr.	PSTP/ TPLA	Patrik Nyback	2010-02-18	670 series Ver.1.2, ANSI symbols			7
Based on	Resp. dept	PSTP/ TPLA	ABB ABB AB		Document number	Lang.	Rev.	Sheet
					1MRK002802-AB	en	A	6

Document status: Approved

1

2

3

4

5

6

A

A

B

B

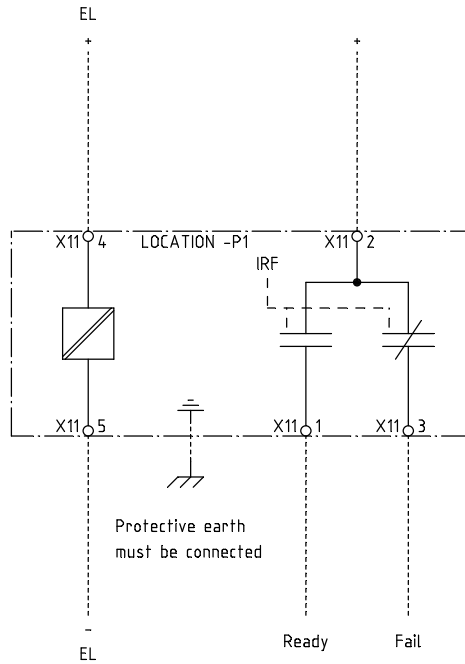
C

C

D

D

Power supply module (PSM)



IRF - INTERNAL RELAY FAIL

We reserve all rights in this document and in the information contained therein. Reproduction, use or disclosure of this project without express authority is strictly prohibited. © ABB AB

Customer drw no	Prep.	PSTP/ TPLA	Agneta Rydh	2009-06-03	Connection Diagram 670 series Ver.1.2, ANSI symbols		Cont. sh/ No of sh	
	Appr.	PSTP/ TPLA	Patrik Nyback	2010-02-18			8	
Based on	Resp. dept	PSTP/ TPLA	ABB AB		Document number	Lang.	Rev.	Sheet
					1MRK002802-AB	en	A	7

1

2

3

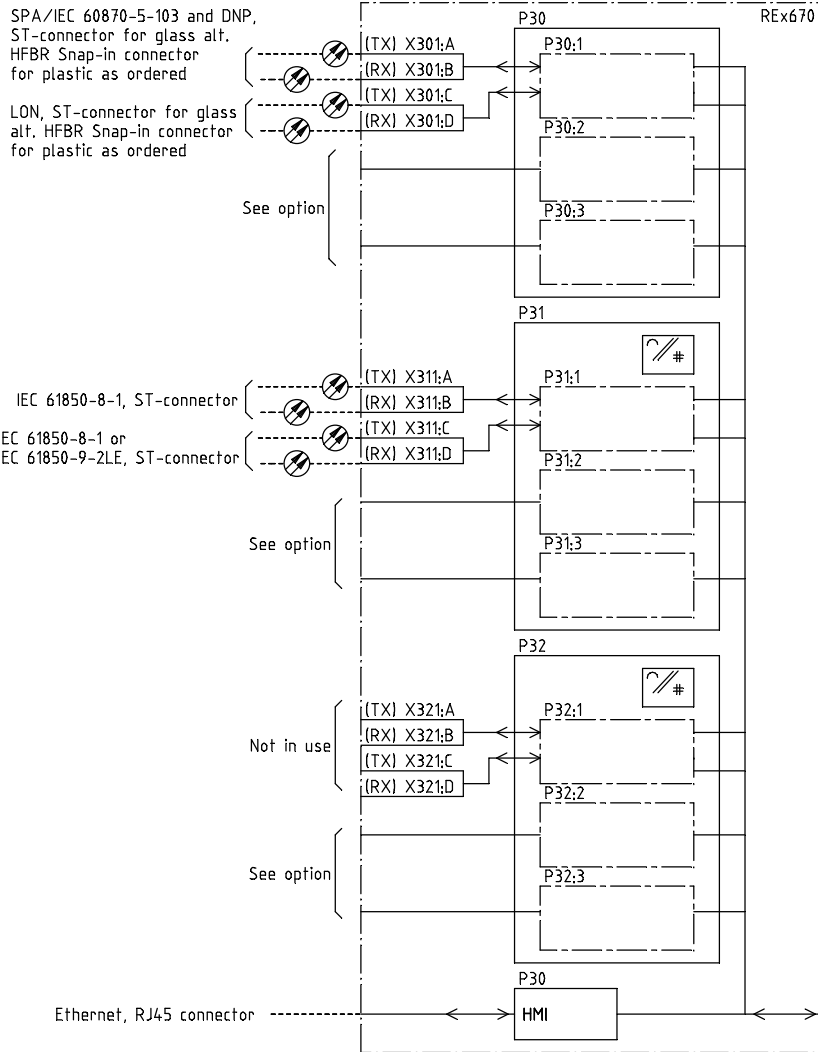
4

5

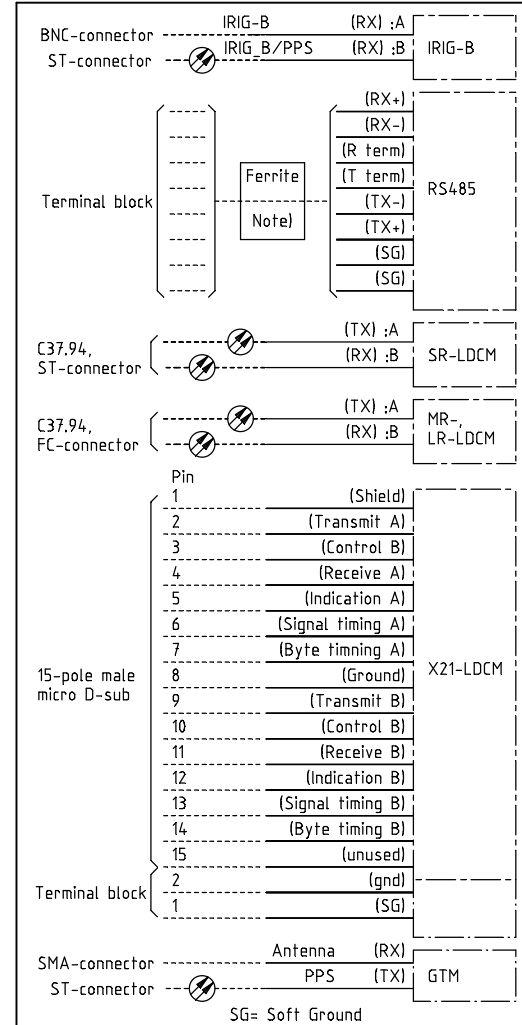
6

Document status: Approved

IED with basic functionality and communication interfaces



Option



Slot	Module	Terminal
P30	NUM	-
P30:1	SLM	X301
	LDCM	X302
P30:2	IRIG-B	
	RS485	
P30:3	LDCM	X303
	RS485	
P31	ADM1	-
P31:1	OEM	X311
P31:2	LDCM	X312
	RS485	
	GTM	
P31:3	LDCM	X313
P31:3	RS485	
	GTM	
P32	ADM2	-
P32:1	Not in use	Not in use
P32:2	LDCM	X322
	RS485	
	GTM	
P32:3	LDCM	X323
	RS485	
	GTM	

NOTE !

Always refer to ABB product configurator to determine valid HW configuration.

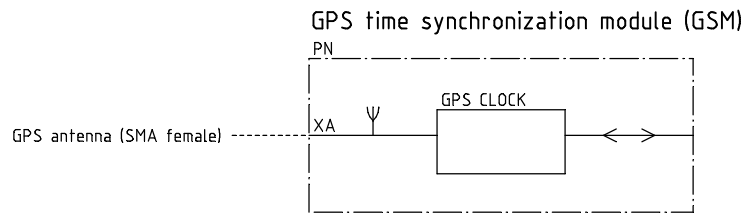
Note) RS485 input/output should be provided with a ferrite.
All conductors using one common ferrite.

Customer draw no	Prep.	PSTP/ TPLA	Agneta Rydh	2009-06-03	Connection Diagram 670 series Ver.1.2, ANSI symbols		Cont. sh/ No of sh
	Appr.	PSTP/ TPLA	Patrik Nyback	2010-02-18			9
	Resp. dept	PSTP/ TPLA			Document number	Lang.	Rev.
Based on	ABB		ABB AB		1MRK002802-AB	en	A
							Sheet
							8

Document status: Approved

We reserve all rights in this document and in the information contained therein. Reproduction, use or distribution is prohibited without express authority by ABB AB.

We reserve all rights in this document and in the information contained therein. Reproduction, use or disclosure in any project without express authority is strictly prohibited. © ABB AB



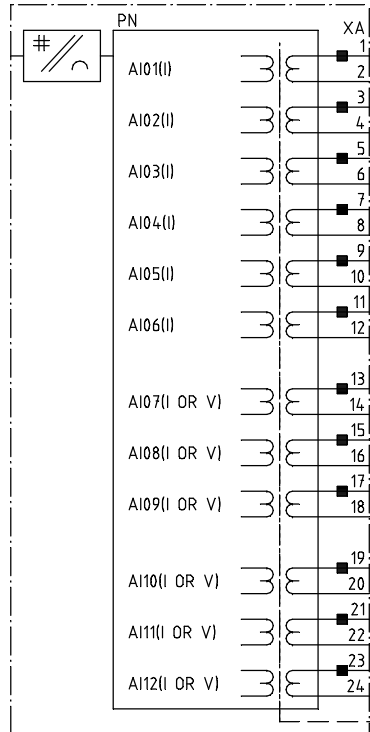
Type of CBM	PN=	XA=
1/2x19" casing with 1 TRM slot	P5	X51
3/4x19" casing with 1 TRM slot	P10	X101
3/4x19" casing with 2 TRM slots	P7	X71
1/1x19" casing with 1 TRM slot	P16	X161
1/1x19" casing with 2 TRM slots	P13	X131

Customer drw no	Prep.	PSTP/ TPLA	Agneta Rydh	2009-06-03	Connection Diagram 670 series Ver.1.2, ANSI symbols		Cont. sh/ No of sh	
	Appr.	PSTP/ TPLA	Patrik Nyback	2010-02-18			10	
Based on	Resp. dept	PSTP/ TPLA	ABB AB		Document number	Lang.	Rev.	Sheet
					1MRK002802-AB	en	A	9

Document status: Approved

We reserve all rights in this document and in the information contained therein. Reproduction, use or distribution is prohibited without express authority by ABB AB.

Transformer input module (TRM)



PN= P40	PN= P41	Designation corresponding to Transformer input module																		
XA= X401:	XA= X411:	CT/VT input designation	Current/voltage configuration																	
			6I	6I	6I+6V	6I+6V	3I+3I+6V	7I+5V	7I+5V	6I+1I+5V	3IM+4I+5V	3IM+4I+5V	3I+4I+5V	9I+3V	9I+3V	5I+4I+3V	12I	12I		
1, 2	1, 2	AI01	1A	5A	1A	5A	5A	1A	5A	5A	1AM *)	5AM *)	5A	1A	5A	1A	1A	5A		
3, 4	3, 4	AI02	1A	5A	1A	5A	5A	1A	5A	5A	1AM *)	5AM *)	5A	1A	5A	1A	1A	5A		
5, 6	5, 6	AI03	1A	5A	1A	5A	5A	1A	5A	5A	1AM *)	5AM *)	5A	1A	5A	1A	1A	5A		
7, 8	7, 8	AI04	1A	5A	1A	5A	1A	1A	5A	5A	1A	5A	1A	1A	5A	1A	1A	5A		
9, 10	9, 10	AI05	1A	5A	1A	5A	1A	1A	5A	5A	1A	5A	1A	1A	5A	1A	1A	5A		
11, 12	11, 12	AI06	1A	5A	1A	5A	1A	1A	5A	5A	1A	5A	1A	1A	5A	5A	1A	5A		
13, 14	13, 14	AI07	-	-	110-220V	110-220V	110-220V	1A	5A	1A	1A	5A	1A	1A	5A	5A	1A	5A		
15, 16	15, 16	AI08	-	-	110-220V	110-220V	110-220V	110-220V	110-220V	110-220V	110-220V	110-220V	110-220V	1A	5A	5A	1A	5A		
17, 18	17, 18	AI09	-	-	110-220V	110-220V	110-220V	110-220V	110-220V	110-220V	110-220V	110-220V	110-220V	1A	5A	5A	1A	5A		
19, 20	19, 20	AI10	-	-	110-220V	110-220V	110-220V	110-220V	110-220V	110-220V	110-220V	110-220V	110-220V	110-220V	110-220V	110-220V	110-220V	1A	5A	
21, 22	21, 22	AI11	-	-	110-220V	110-220V	110-220V	110-220V	110-220V	110-220V	110-220V	110-220V	110-220V	110-220V	110-220V	110-220V	110-220V	1A	5A	
23, 24	23, 24	AI12	-	-	110-220V	110-220V	110-220V	110-220V	110-220V	110-220V	110-220V	110-220V	110-220V	110-220V	110-220V	110-220V	110-220V	1A	5A	

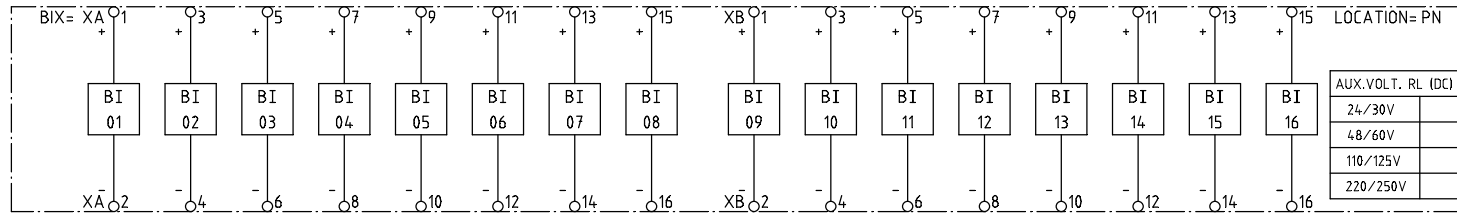
■ Indicates high polarity. Note that internal polarity can be adjusted by setting of analogue input CT neutral direction and or on SMAI pre-processing function blocks.

*) Metering

Customer draw no	Prep.	PSTP/ TPLA	Agneta Rydh	2009-06-03	Connection Diagram 670 series Ver.1.2, ANSI symbols		Cont. sh/ No of sh 11	
	Appr.	PSTP/ TPLA	Patrik Nyback	2010-02-18				
	Resp. dept	PSTP/ TPLA			Document number	Lang.	Rev.	Sheet
Based on			ABB	ABB AB	1MRK002802-AB	en	A	10

Document status: Approved

Binary input module (BIM)



Designations in correspondance to the location in the rack		
PN=	XA=	XB=
P3	X31	X32
P4	X41	X42
P5	X51	X52
P6	X61	X62
P7	X71	X72
P8	X81	X82
P9	X91	X92
P10	X101	X102
P11	X111	X112
P12	X121	X122
P13	X131	X132
P14	X141	X142
P15	X151	X152
P16	X161	X162

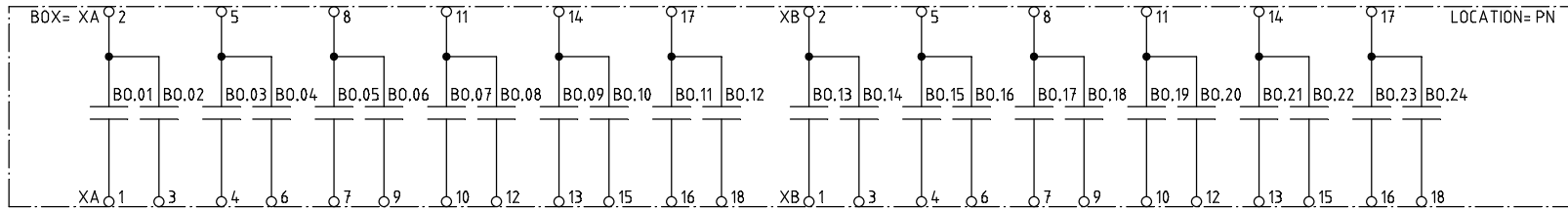
- Configuration plant adapted
- Configuration BI.01
 - Configuration BI.02
 - Configuration BI.03
 - Configuration BI.04
 - Configuration BI.05
 - Configuration BI.06
 - Configuration BI.07
 - Configuration BI.08
 - Configuration BI.09
 - Configuration BI.10
 - Configuration BI.11
 - Configuration BI.12
 - Configuration BI.13
 - Configuration BI.14
 - Configuration BI.15
 - Configuration BI.16

Customer draw no	Prep.	PSTP/ TPLA	Agneta Rydh	2009-06-03	Connection Diagram 670 series Ver.1.2, ANSI symbols		Cont. sh/ No of sh	
	Appr.	PSTP/ TPLA	Patrik Nyback	2010-02-18			12	
Based on	Resp. dept	PSTP/ TPLA	ABB AB		Document number	Lang.	Rev.	Sheet
					1MRK002802-AB	en	A	11

We reserve all rights in this document and in the information contained therein. Reproduction, use or disclosure of this document without express authority is strictly prohibited. © ABB AB

Document status: Approved

Binary output module (BOM)



Designations in correspondance to the location in the rack		
PN=	XA=	XB=
P3	X31	X32
P4	X41	X42
P5	X51	X52
P6	X61	X62
P7	X71	X72
P8	X81	X82
P9	X91	X92
P10	X101	X102
P11	X111	X112
P12	X121	X122
P13	X131	X132
P14	X141	X142
P15	X151	X152
P16	X161	X162

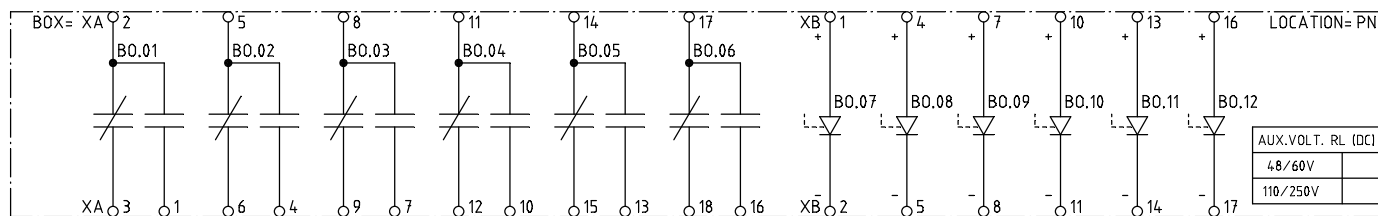
- Configuration plant adapted
- Configuration B0.01
- Configuration B0.02
- Configuration B0.03
- Configuration B0.04
- Configuration B0.05
- Configuration B0.06
- Configuration B0.07
- Configuration B0.08
- Configuration B0.09
- Configuration B0.10
- Configuration B0.11
- Configuration B0.12
- Configuration B0.13
- Configuration B0.14
- Configuration B0.15
- Configuration B0.16
- Configuration B0.17
- Configuration B0.18
- Configuration B0.19
- Configuration B0.20
- Configuration B0.21
- Configuration B0.22
- Configuration B0.23
- Configuration B0.24

Customer draw no	Prep. PSTP/ TPLA Agneta Rydh 2009-06-03	Connection Diagram	Cont. sh/ No of sh
	Appr. PSTP/ TPLA Patrik Nyback 2010-02-18		
Based on	ABB AB		
	Documentnumber 1MRK002802-AB		
		Lang. en	Sheet 12

We reserve all rights in this document and in the information contained therein. Reproduction, use or distribution of this publication without express authority is strictly forbidden. © ABB AB

Document status: Approved

Static output module (SOM)



Designations in correspondance to the location in the rack		
PN=	XA=	XB=
P3	X31	X32
P4	X41	X42
P5	X51	X52
P6	X61	X62
P7	X71	X72
P8	X81	X82
P9	X91	X92
P10	X101	X102
P11	X111	X112
P12	X121	X122
P13	X131	X132
P14	X141	X142
P15	X151	X152
P16	X161	X162

Configuration plant adapted

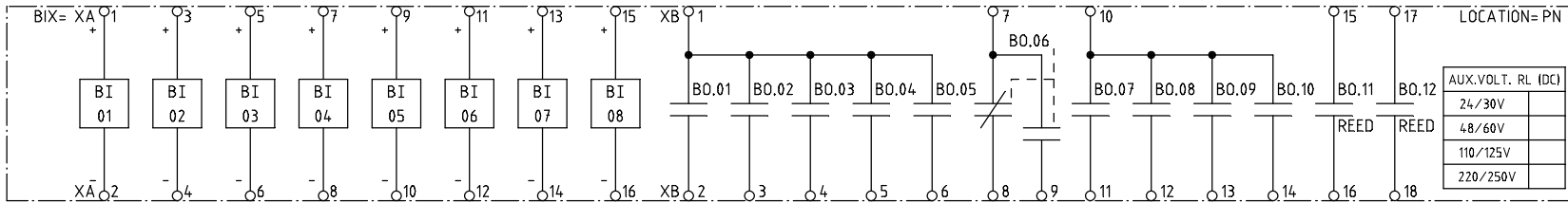
- Configuration B0.01
- Configuration B0.02
- Configuration B0.03
- Configuration B0.04
- Configuration B0.05
- Configuration B0.06
- Configuration B0.07
- Configuration B0.08
- Configuration B0.09
- Configuration B0.10
- Configuration B0.11
- Configuration B0.12

We reserve all rights in this document and in the information contained therein. Reproduction, use or disclosure of this project without express authority is strictly forbidden. © ABB AB

Customer draw no	Prep. PSTP/ TPLA Agneta Rydh 2009-06-03	Connection Diagram 670 series Ver.1.2, ANSI symbols		Cont. sh/ No of sh	
	Appr. PSTP/ TPLA Patrik Nyback 2010-02-18			14	
Based on	ABB AB	Document number	Lang.	Rev.	Sheet
		1MRK002802-AB	en	A	13

Document status: Approved

Binary in/out module (IOM)



Designations in correspondance to the location in the rack		
PN=	XA	XB=
P3	X31	X32
P4	X41	X42
P5	X51	X52
P6	X61	X62
P7	X71	X72
P8	X81	X82
P9	X91	X92
P10	X101	X102
P11	X111	X112
P12	X121	X122
P13	X131	X132
P14	X141	X142
P15	X151	X152
P16	X161	X162

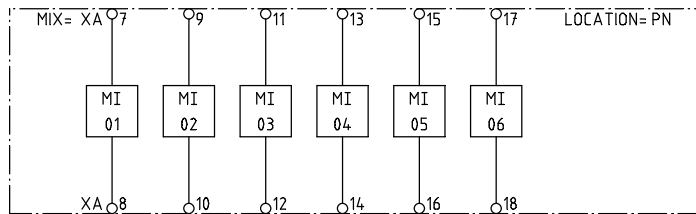
- Configuration plant adapted
- Configuration BI.01
- Configuration BI.02
- Configuration BI.03
- Configuration BI.04
- Configuration BI.05
- Configuration BI.06
- Configuration BI.07
- Configuration BI.08
- Configuration BO.01
- Configuration BO.02
- Configuration BO.03
- Configuration BO.04
- Configuration BO.05
- Configuration BO.06
- Configuration BO.07
- Configuration BO.08
- Configuration BO.09
- Configuration BO.10
- Configuration BO.11
- Configuration BO.12

Customer draw no	Prep. PSTP/ TPLA Agneta Rydh 2009-06-03	Connection Diagram 670 series Ver.1.2, ANSI symbols		Cont. sh/ No of sh	
	Appr. PSTP/ TPLA Patrik Nyback 2010-02-18			15	
Based on	ABB AB	Document number	Lang.	Rev.	Sheet
		1MRK002802-AB	en	A	14

We reserve all rights in this document and in the information contained therein. Reproduction, use or disclosure of this product without express authority is strictly prohibited. © ABB AB

Document status: Approved

mA input module (MIM)



Designations in correspondance to the location in the rack	
PN=	XA=
P3	X31
P4	X41
P5	X51
P6	X61
P7	X71
P8	X81
P9	X91
P10	X101
P11	X111
P12	X121
P13	X131
P14	X141
P15	X151
P16	X161

Configuration plant adapted

Configuration MI.01

Configuration MI.02

Configuration MI.03

Configuration MI.04

Configuration MI.05

Configuration MI.06

Customer draw no	Prep. PSTP/ TPLA Agneta Rydh 2009-06-03	Connection Diagram	Cont. sh/ No of sh
	Appr. PSTP/ TPLA Patrik Nyback 2010-02-18		
Based on	Resp. dept PSTP/ TPLA	Document number	Lang.
	ABB ABB AB	1MRK002802-AB	en
		Rev.	Sheet
		A	15